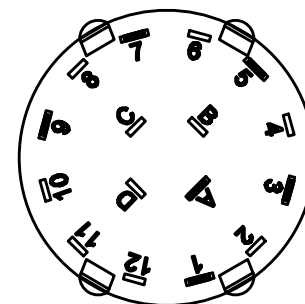
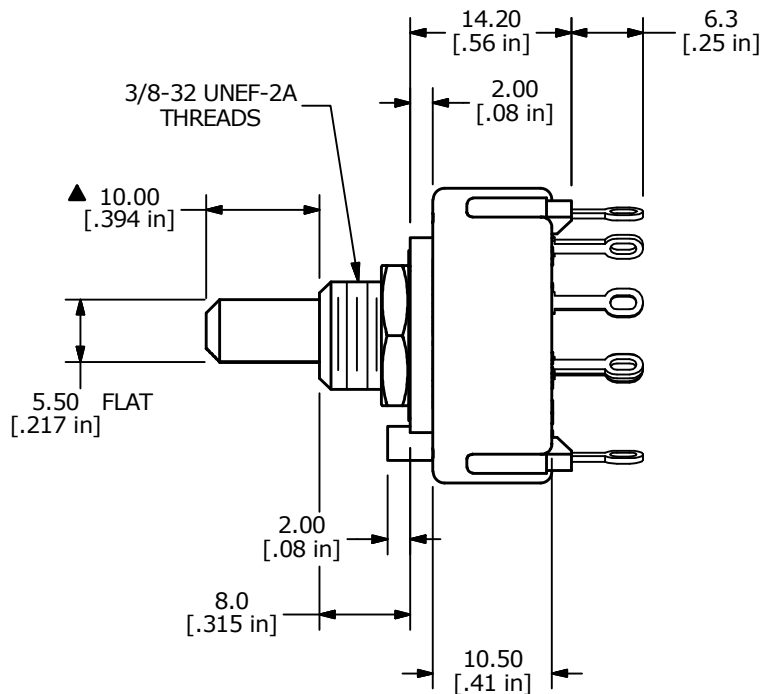
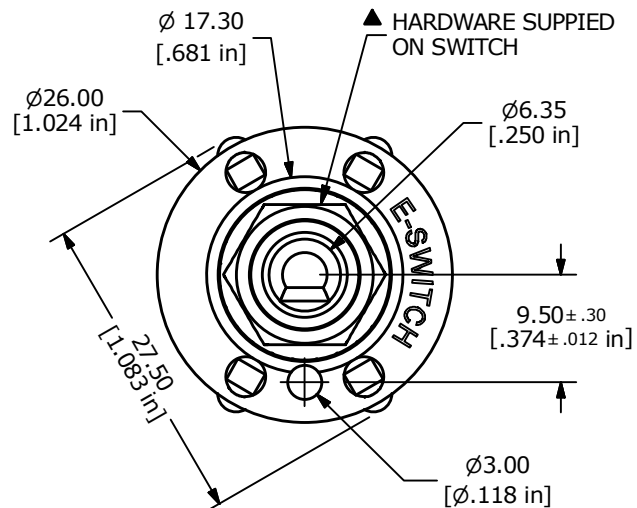


CONTACT CONFIGURATION
TIMING (BBM) NON-SHORTING



NOTE:

1. ALL DIMENSIONS IN MM[INCH].
2. GENERAL TOLERANCE: X.X = ± 0.4
X.XX = ± 0.25
3. TERM. NOS. FOR REFERENCE ONLY.
- ▲ 4. CONTACT MATERIAL: SILVER
5. CONTACT RATING: 300mA @ 125VAC
6. CONTACT RATING (NON-SWITCHING): 5A
7. CONTACT RESISTANCE: 50 Milli-OHMS max.
8. OPERATING FORCE: 800 ± 300 gm/cm
9. OPERATING TEMP: -30°C to 85°C
- ▲ 10. CIRCUIT SP: 5 POSITION 60° INDEX.
11. INSULATION RESISTANCE: 100 Mega-OHMS min.
12. WITHSTAND VOLTAGE: 500VAC FOR 1 MINUTE.
- ▲ 13. HARDWARE SUPPLIED ON SWITCH: LOCKWASHER, HEXNUT, STOP RING
14. ▲ DENOTES CRITICAL PARAMETER.
15. 2011/65/EU (ROHS) COMPLIANT



A	23376	RELEASED FOR PRODUCTION	5/30/18	MW
REV	PCR NO	DESCRIPTION	DATE	BY

E-SWITCH®				
TITLE KC59A10.001NLS				
SCALE	DATE	DR	DWG	REV
3:2	5/30/2018	MW	G530175	A

THE INFORMATION CONTAINED IN THIS DOCUMENT IS PROPRIETARY TO E-SWITCH AND IS NOT TO BE COPIED OR TRANSFERRED